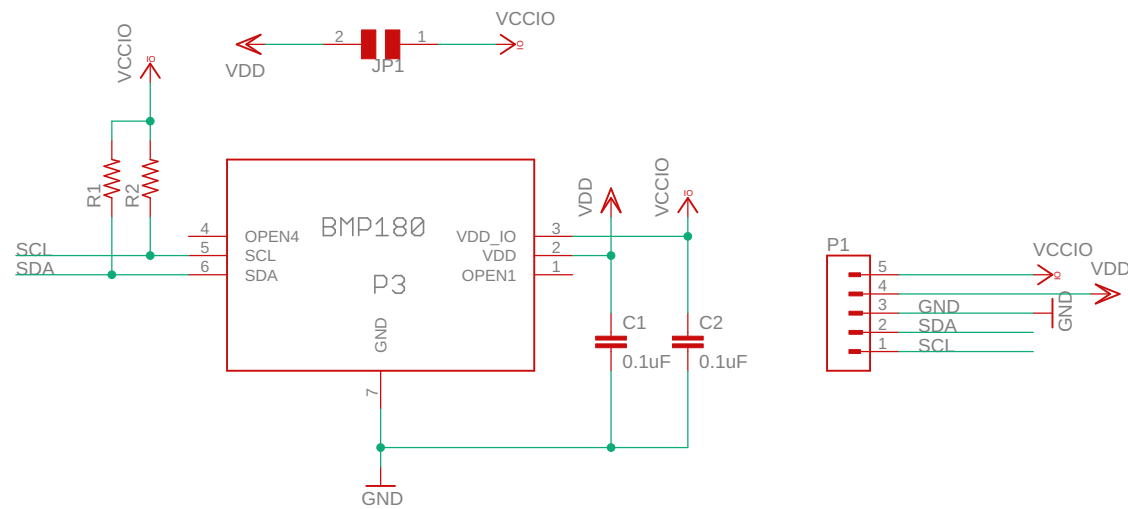


# BMP180 - Bosch Sensortec Barometric pressure sensor Upgrade of part BMP085.

## Notes:

- 1) Vdd-VddIO jumper (J1) is 0603-sized, and is populated with a 0 ohm resistor. If needed, de-solder the jumper to separate analog and digital voltages.
- 2) I2C 0603 pkg pullup resistors R1 and R2 are not pre-populated. They can be added to meet specific application needs.



Playing With Fusion, Inc. PWF

TITLE: BMP180\_BaroPressSnsr\_Breakout

CREATOR: J. Steinlage

REVISION: 02

DATE: 10/3/2022 10:27 AM

SHEET: 1/1

LAST MODIFIED BY: J. Steinlage

Released under the MIT license.

<http://www.opensource.org/licenses/mit-license.php>