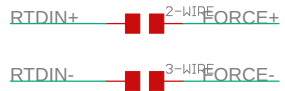
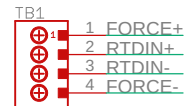
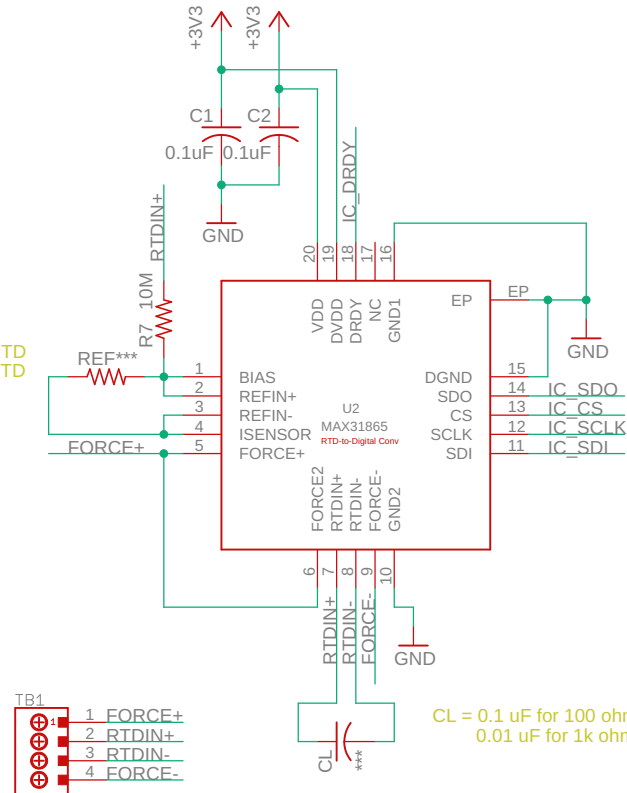


MAX31865 Breakout RTD-to-Digital Converter Level shifter with LDO optional

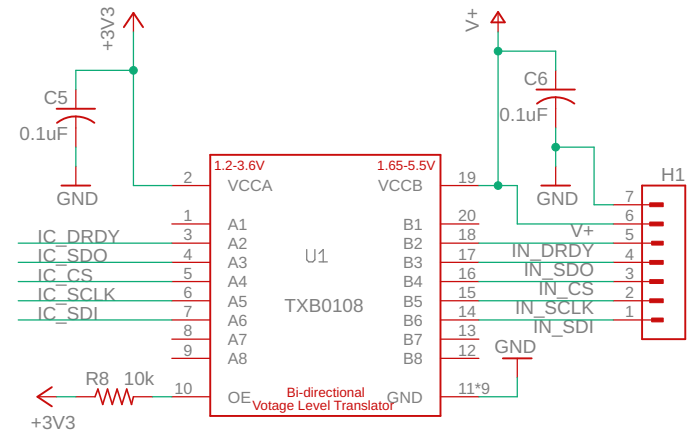
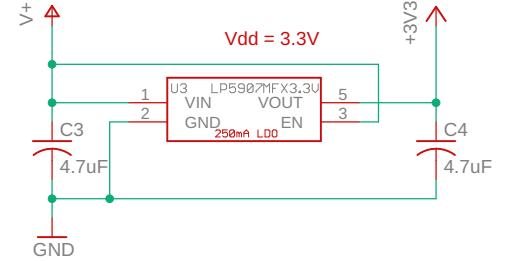
Notes:

- 1) Supply VccB with between 3.6 and 5.5V
- 2) VccA will be supplied at 3.3V at up to 300mA

REF = 400 ohm for PT100 RTD
= 4k ohm for PT1000 RTD



CL = 0.1 uF for 100 ohm RTD
0.01 uF for 1k ohm RTD



Released under the MIT license.
<http://www.opensource.org/licenses/mit-license.php>

Connection can be used for 2, 3 or 4-pin RTD connections

Mech Specs	Playing With Fusion, Inc. PWF	
L:	TITLE: MAX31865_RTD_Breakout_R02	
W:	CREATOR: J. Steinlage	REVISION: 00
H:	DATE: 10/3/2022 10:27 AM	SHEET: 1/1
m:	LAST MODIFIED BY: J. Steinlage	