

Overview

IFB-1001x is a small form factor signal wire splitter with insulation displacement connectors.

Features

- x1 IDC input
- x2-3 IDC outputs
- Max current: 2A continuous
- Small footprint
- Inline and “Y” design
- Semi-flexible enclosure
- Designed, manufactured, tested, and shipped from the USA.

Kit Includes

- IFB-10013 / 4 / 5 / 6
- Semi-flexible enclosure

Typical Applications

- Robotic competitions (FRC, FTC, VEX, etc.)
- RC projects (cars, trucks, boats, etc.)
- Other hobby projects

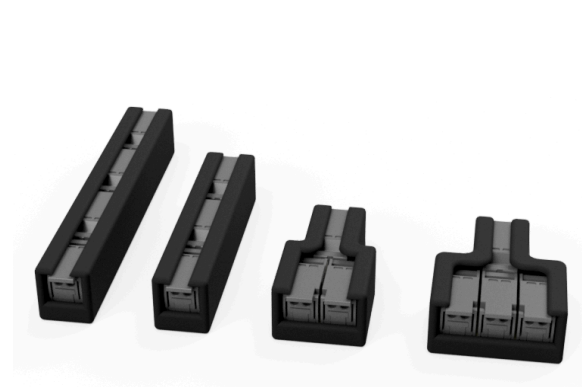


Figure 1: CAN Splitter products

Description

CAN wiring can be a large source of pain in any project. Playing With Fusion’s line of CAN splitters can greatly reduce this pain!

Our CAN splitters are available in many layouts, giving you the most flexibility when it comes to space availability. Our inline and “Y” splitters can be incorporated directly into spi-wrap branches, or placed in key locations to simplify wiring. Insulation Displacement Connectors (IDC) make splicing wires easier than ever by eliminating the necessity for stripping insulation. Just make a cut and insert the wire into the connector! No crimping tools are required.

Electrical Information

- Max current: 200mA continuous

Application & Guide

No setup is required to use IFB-1001x. See Playing With Fusion’s YouTube channel to see implementation in action.

Ordering Options & Related Parts

[PWR-10001](#): XT30 power distribution module

[PWR-10002](#): XT30 power distribution module

[PWR-20002](#): PTC fused sensor distribution

[IFB-10013](#): CAN Inline 2-way splitter

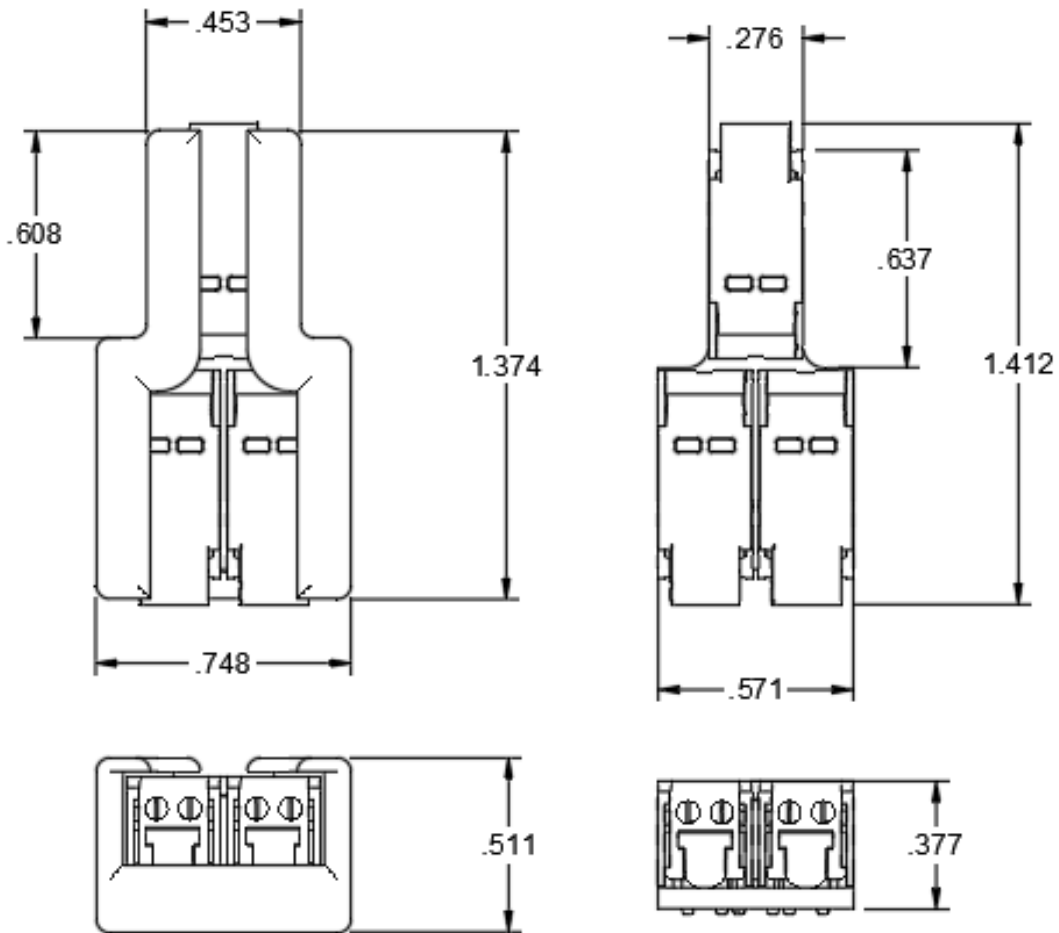
[IFB-10014](#): CAN Inline 3-way splitter

[IFB-10015](#): CAN “Y” 2-way splitter

[IFB-10016](#): CAN “Y” 3-way splitter

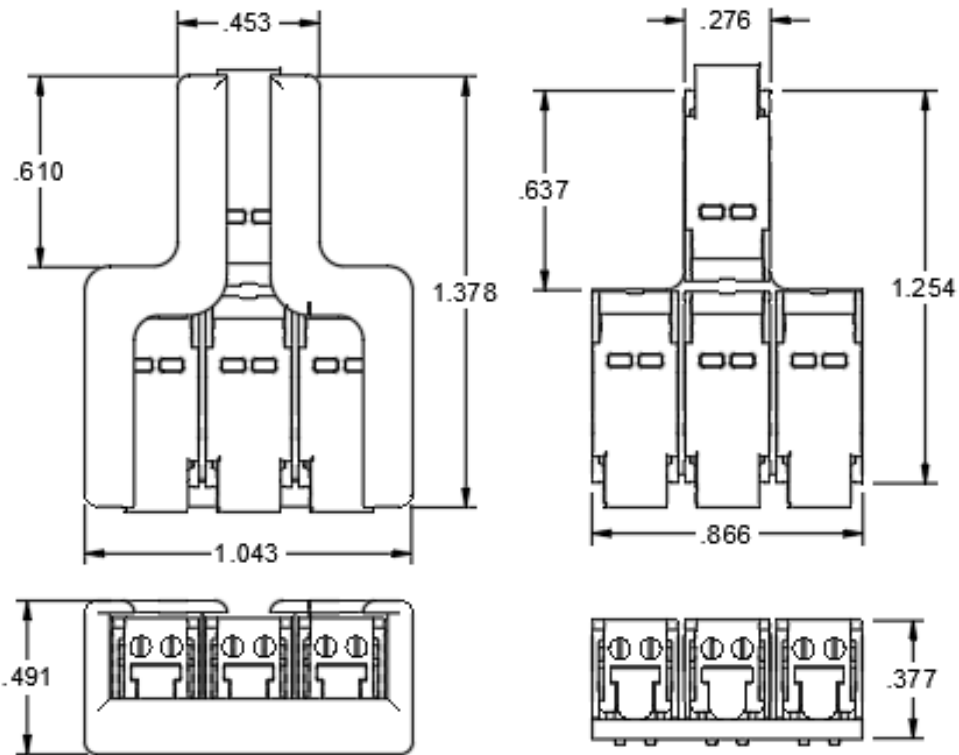
Appendix 1: Mechanical Drawing
IFB-10015 "Y" 2-Way Splitter

CAN "Y" 2 Way Splitter



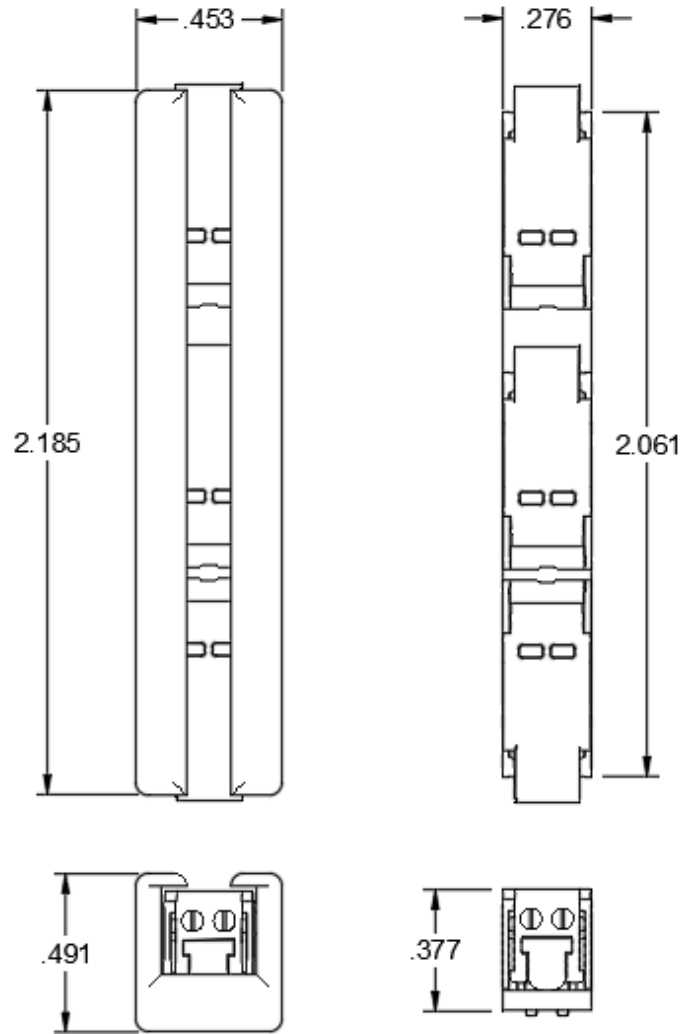
Appendix 2: Mechanical Drawing
IFB-10016 "Y" 3-Way Splitter

CAN "Y" 3 Way Splitter



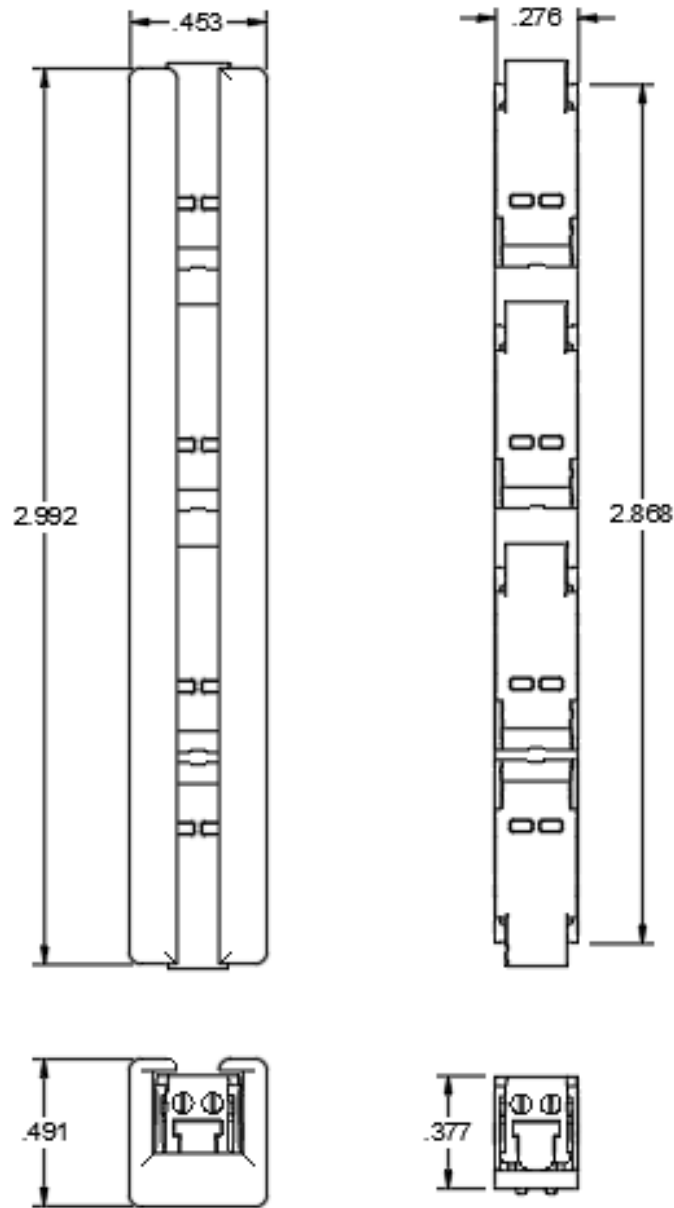
Appendix 3: Mechanical Drawing
IFB-10013 Inline 2-Way Splitter

CAN Inline 2 Way Splitter



Appendix 4: Mechanical Drawing
IFB-10014 Inline 3-Way Splitter

CAN Inline 3 Way Splitter



Revision History

Date	Author	Notes
11/2/2024	N. Johnson	Initial creation